



UX Series

MTA60UX / 6,000lb

Seated Electric Tow Tractor

MTA60UX features.

The Yale® MTA60UX seated electric tow tractor combines ergonomic features, reliable technology and energy efficient performance in a cost-effective package for less-demanding applications. Backed by the Yale brand and nationwide dealer network, businesses can count on the UX Series tow tractor for low maintenance requirements with easy service to keep operations running smoothly and keep costs in check.

Productivity

- High-power, maintenance free AC drive motor
- Impressive pulling performance
- Seamless travel and maneuverability
- Rear, dual-position tow coupling
- Ergonomic layout to help maximize efficiency and comfort
- Adjustable seat and steering column
- Multi-function LCD dash display
- Automatic electro-magnetic parking brake
- Audible reverse alarm

Safety & structural design

- Operator Presence System (OPS)
- Non-slip, uncluttered floor plate
- Drive axle design and low center of gravity helps maximize stability
- Emergency stop button
- High quality, robust components
- Low noise level

Optional features

- Battery side extraction
- Keyless key switch (password)
- Blue light and strobe light
- Mirrors
- Paper document storage compartment

Serviceability

- Easy access for fast and efficient servicing
- Simple, readily available components
- Computer based diagnostics not required



Easy service access via back cover

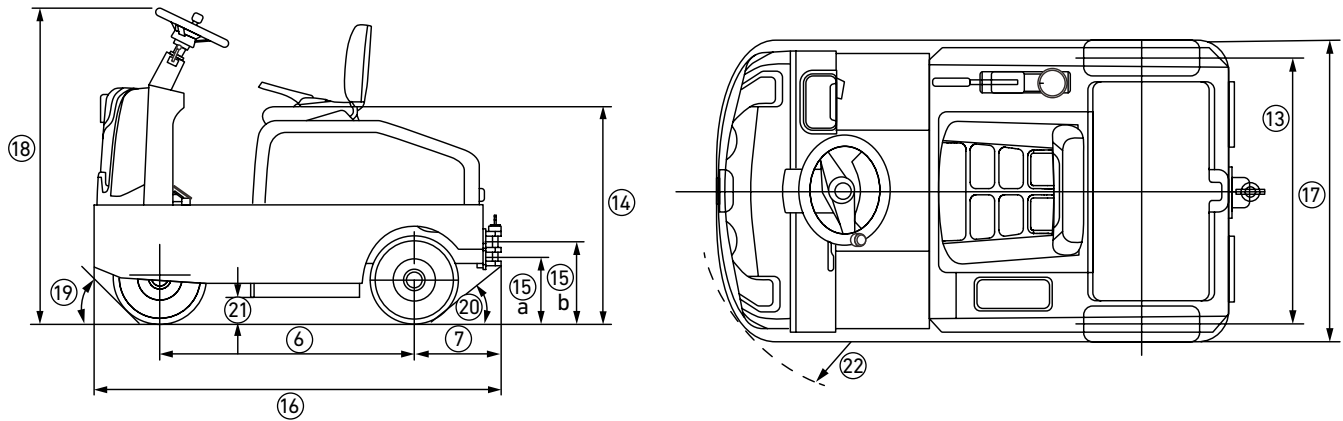


Ergonomic operator compartment



Informative LCD dash display

TRUCK DIMENSIONS MTA60UX



GENERAL SPECIFICATIONS MTA60UX

Description	Measurement	MTA60UX
1 Power type		36-volt
2 Operator type		Seated
3 Rated capacity	lb (kg)	6614 (3000)
4 Drawbar pull, 60min rating	lbf (N)	168.6 (750)
5 Max drawbar pull, 5min rating	lbf (N)	□
6 Wheelbase	in (mm)	41.54 (1055)
7 Rear load distance	in (mm)	15.04 (382)
8 Service weight	lb (kg)	1719.6 (780)
9 Axle loading, unladen front / rear	lb (kg)	683.4 (310) / 1036.2 (470)
10 Front, tire size / type (no. of wheels)		15 x 4.5 - 8 Solid (1)
11 Rear, tire size / type (no. of wheels)		15 x 4.5 - 8 Solid (2)
12 Wheel tread, front	in (mm)	n/a
13 Wheel tread, rear	in (mm)	33.86 (860)
14 Seat height / STD	in (mm)	35.8 (910)
15a Coupling height	in (mm)	11 (280)
15b Coupling height	in (mm)	13.78 (350)
16 Overall length	in (mm)	67.71 (1720)
17 Overall width	in (mm)	38.1 (968)
18 Overall height (excluding cab)		50 (1270)
19 Approach angle	deg (°)	≥54
20 Departure angle	deg (°)	≥37
21 Min ground clearance	in (mm)	3.54 (90)
22 Turning radius	12 in (mm)	58.66 (1490)
23 Travel speed, unladen	mph (km/h)	6.21 (10)
24 Travel speed, laden	mph (km/h)	4.35 (7)
25 Gradeability, laden / unladen	%	7 / 12
26 Service brake / parking brake		hydraulic / electromagnetic
27 Drive control		AC
28 Drive motor rating *S2 60 min	hp (kW)	4 (3)
29 Battery ampere hours	Ah	250
30 Battery weight	lb (kg)	445.3 (202)
31 Sound level at the drivers ear according to EN/DIN 12 053	dB (A)	68

Circled truck dimensions correspond to the line numbers in the General Specifications chart. Dimensions are listed in inches (millimeters).

About Yale®



Yale Materials Handling Corporation is one of the oldest manufacturers of lift trucks in the world. We've been in the business of lifting since 1875 and we apply that experience to help customers solve materials handling challenges. Our full line of lift trucks range in capacity from 2,000 to 36,000 pounds and are powered by internal combustion engines or electric options. Yale also offers robotic solutions, telemetry, fleet management, parts, financing and training. From traditional lift truck equipment to emerging technologies, our goal, every day, is to work with our nationwide dealer network to continually improve and provide the solutions you need, when and how you need them.

MATERIALS HANDLING FOR:



3PL



Auto Parts
Distribution



Beverage



Cold & Frozen
Foods



Food
Distribution



Food
Processing



Furniture &
Furnishings



Health &
Pharma



Home
Centers



Printing &
Publishing




Retail &
E-Commerce

Yale Materials Handling Corporation

P.O. Box 7367
Greenville, NC 27835-7367
U.S.A.

www.yale.com

YALE,  and PEOPLE. PRODUCTS. PRODUCTIVITY, are trademarks, service marks or registered marks in the United States and certain other jurisdictions. © Yale Materials Handling Corporation 2021. All Rights Reserved.

Trucks may be shown with optional equipment. Truck performance may be affected by the condition of the vehicle, how it is equipped and the application. Specifications are subject to change without notice. Consult your Yale® Dealer if any of the information shown is critical to your application.