



UX Series

MP30UX / 3,300lb

Electric Walkie Pallet Truck

MP30UX features.

The Yale® MP30UX electric walkie pallet truck combines ergonomic features, reliable technology and energy efficiency in a cost-effective package for less-demanding applications. The simply efficient, low-maintenance solution is backed by the Yale brand and nationwide dealer network to meet productivity requirements and help reduce operational costs, day after day.

Productivity

- Small turning radius 57.2" (1454mm)
- Performs well on gradients
- Long handle helps reduce steering effort
- Drive capability when tiller is upright, helps reduce turning space
- Entry rollers help facilitate fork entry
- Variable speed control
- Built-in charger
- Low speed switch in the handle
- Floating balance wheel automatically adjusts height and helps improve stability when unloading

Serviceability

- Fast and efficient servicing
- Simple components
- Computer-based diagnostics not required
- Sealed maintenance-free batteries
- Tandem wheel option available

Optimum structural design

- Formed heavy-gauge steel helps provide maximum fork strength and longevity
- Pull rod design helps protect against bending
- Durable plastic covers
- Compact and lightweight design

Safety features

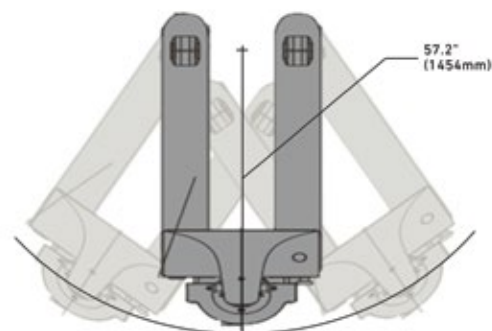
- Emergency stop button
- Emergency reversing belly button
- Casters to help increase stability



Standard control handle offers left and right hand operation

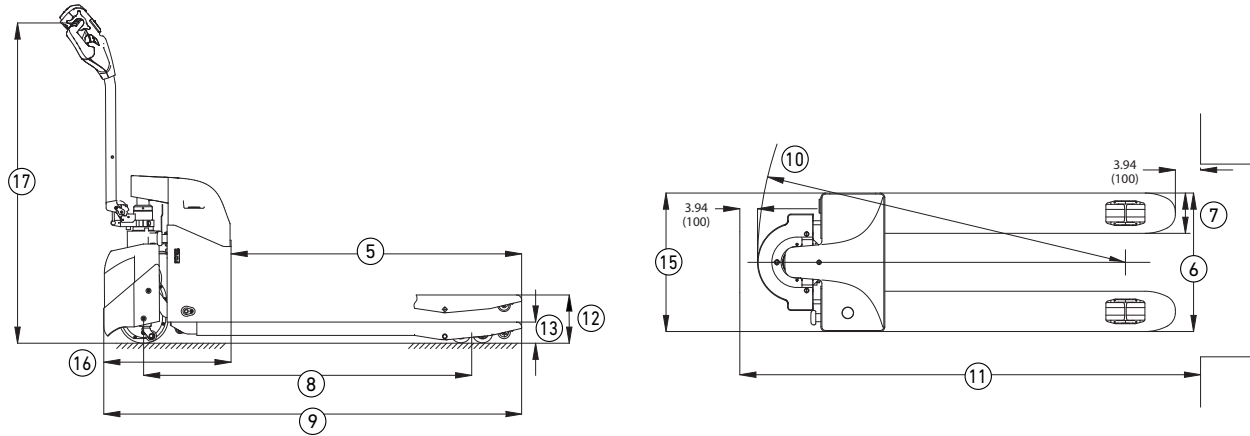


Entry rollers help facilitate fork entry



Small turning radius

TRUCK DIMENSIONS MP30UX



GENERAL SPECIFICATIONS MP30UX

	Description	Measurement	MP30UX
1	Power type		24-volt
2	Operator type		Pedestrian
3	Rated capacity	lb (kg)	3300 (1500)
4	Load center	in (mm)	23.6 (600)
5	Fork length	in (mm)	45.28 (1150)
6	Fork overall width	in (mm)	26.97 (685) / 20.47 (520)
7	Fork width (individual fork)	in (mm)	6.30 (160)
8	Wheelbase (raised/lowered)	in (mm)	50.67 (1287) / 53.42 (1357)
9	Overall length	in (mm)	65.11 (1654)
10	Outside turning radius (raised)	in (mm)	57.24 (1454)
11	Right angle stack (39.37 x 47.24 crossways)	in (mm)	73 (1854)
12	Overall lift height - top of forks	in (mm)	7.48 (190)
13	Lowered height - top of forks	in (mm)	2.95 (75)
14	Total lift	in (mm)	4.52 (115)
15	Truck overall width	in (mm)	26.97 (685) / 22.12 (562)
16	Chassis length	in (mm)	19.84 (504)
17	Height of tiller (max.)	in (mm)	50 (1270)
18	Battery compartment - standard	in (mm)	8.97 (228) / 5.43 (138) / 8.42 (214)
19	Maximum gradeability (loaded/unloaded)	%	5 / 10
20	Maximum travel speed (loaded/unloaded)	mph (km/h)	2.7 (4.3) / 3 (4.8)
21	Traction motor control method type		DC
22	Service brake type		Electric
23	Truck weight (approximate) with battery - NL/RL	lb (kg)	451.95 (205) / 3758.9 (1705)
24	Drive tire - size type (number of wheels)	in (mm)	Ø7.68 (195) x 2.75 (70) Poly (1)
25	Load wheel - size/type (number of wheels)	in (mm)	Ø2.91 (74) x 3.54 (90) Poly single Ø2.91 (74) x 2.75 (70) poly tandem
26	Battery type		Sealed
27	Battery ampere hours	Ah	65
28	Battery weight	lb (kg)	79.37 (36)
29	On board charger	V	100-240
30	Sound level at the drivers ear according to EN/DIN 12 053	dB (A)	<68

Circled truck dimensions correspond to the line numbers in the General Specifications chart. Dimensions are listed in inches (millimeters).

About Yale®



Yale Materials Handling Corporation is one of the oldest manufacturers of lift trucks in the world. We've been in the business of lifting since 1875 and we apply that experience to help customers solve materials handling challenges. Our full line of lift trucks range in capacity from 2,000 to 36,000 pounds and are powered by internal combustion engines or electric options. Yale also offers robotic solutions, telemetry, fleet management, parts, financing and training. From traditional lift truck equipment to emerging technologies, our goal, every day, is to work with our nationwide dealer network to continually improve and provide the solutions you need, when and how you need them.

MATERIALS HANDLING FOR:



3PL



Auto Parts
Distribution



Beverage



Cold & Frozen
Foods



Food
Distribution



Food
Processing



Furniture &
Furnishings



Health &
Pharma



Home
Centers



Printing &
Publishing




Retail &
E-Commerce

Yale Materials Handling Corporation

P.O. Box 7367
Greenville, NC 27835-7367
U.S.A.

www.yale.com

YALE,  and PEOPLE. PRODUCTS. PRODUCTIVITY, are trademarks, service marks or registered marks in the United States and certain other jurisdictions. © Yale Materials Handling Corporation 2021. All Rights Reserved.

Trucks may be shown with optional equipment. Truck performance may be affected by the condition of the vehicle, how it is equipped and the application. Specifications are subject to change without notice. Consult your Yale® Dealer if any of the information shown is critical to your application.