



# UX Series

**MPS30UX / 3,300lb**

Lithium-Ion Powered Pallet Truck

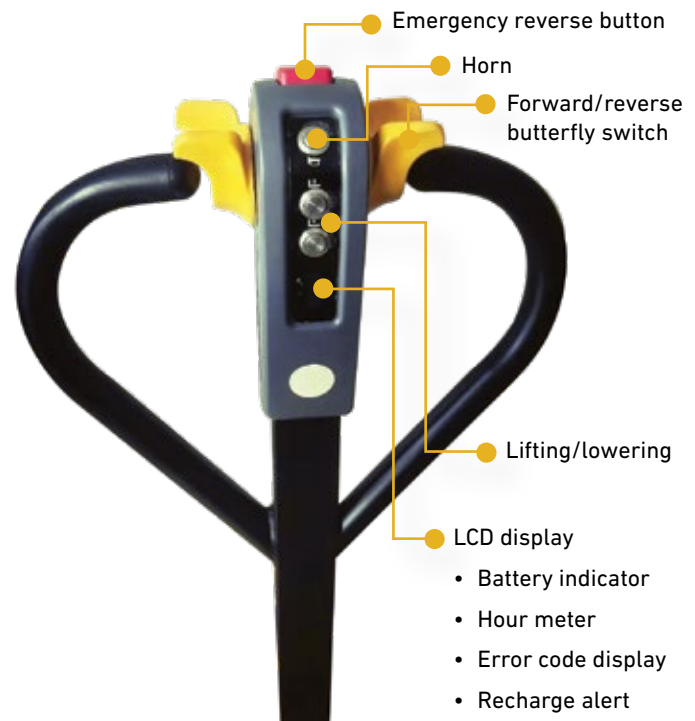
# MPS30UX features.

The Yale® MPS30UX lithium-ion powered pallet truck is a simple, cost-effective solution for less-demanding applications. Designed to be up to 3x more efficient than a manual pallet jack, this compact, lightweight and low-maintenance option meets demand, day after day--all backed by the trusted Yale name.

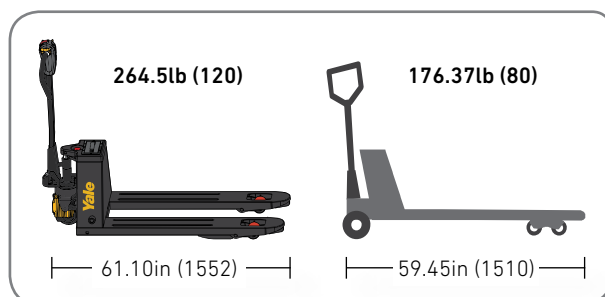
## Productivity

- Compact and lightweight design
- Powered travelling, lifting and lowering
- Efficiency is tripled over a hand pallet truck
- 6-second battery exchange; suitable for continuous operations
- Re-charge alert
- Intelligent Remote Control key +
- Large battery with 3-hour fast charger +
- Emergency reverse "belly" button
- Ergonomic, multi-function handle with LCD display to maximize uptime
- Easy and simple to maintain
- Maintenance free components; brushless drive motor and lithium-ion battery
- 60-second drive wheel replacement
- Durable steel frame and protective cover
- Performs well on gradients

(+ = *Optional equipment*)



## Powered Pallet vs Hand Pallet Trucks



Compact and lightweight

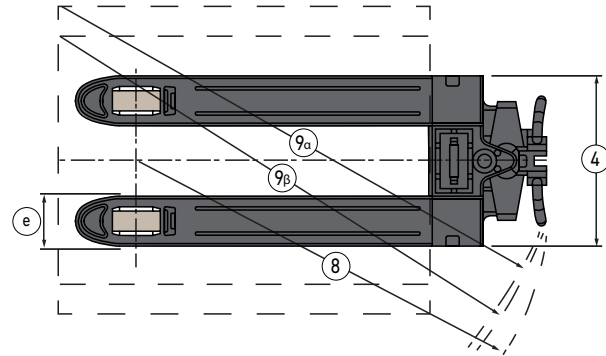
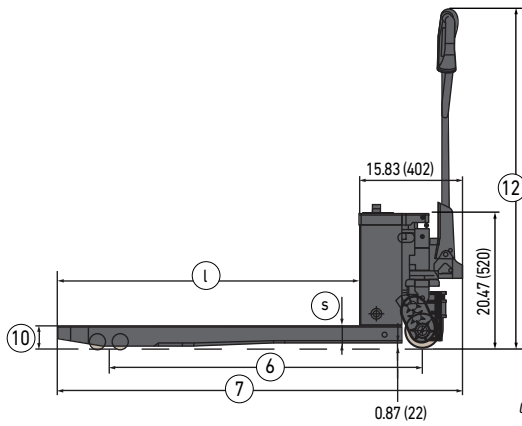


Single/tandem load wheels



Protective cover

## TRUCK DIMENSIONS MPS30UX

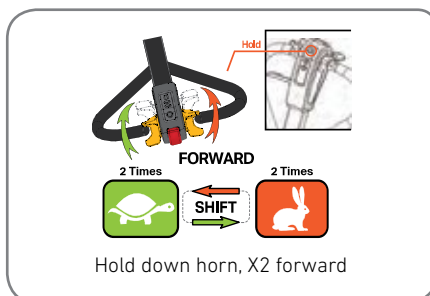


Circled truck dimensions correspond to the line numbers in the General Specifications chart. Dimensions are listed in inches (millimeters.)

## GENERAL SPECIFICATIONS MPS30UX

	Description	Measurement	MPS30UX
1	Operator type		Pedestrian
2	Rated capacity	lb (kg)	3300 (1500)
3	Load center	in (mm)	23.6 (600)
4	Overall fork width	in (mm)	21.65 (550) / 26.97 (685)
5	Fork dimensions	s x e x l - in (mm)	2.28 (58) x 6.30 (160) x 45.28 (1150) / 2.28 (58) x 6.30 (160) x 48 (1220)
6	Wheelbase	in (mm)	47.12 (1197) / 49.88 (1267)
7	Overall length	in (mm)	61.10 (1552) / (63.86) 1622
8	Turning radius (raised)	in (mm)	53.26 (1353) / 56.14 (1426)
9	Right angle stack (39.37 x 47.24 crossway / 31.50 x 47.24 lengthways)	$\alpha$ / $\beta$ - in (mm)	$\alpha$ 67.64 (1718) / $\beta$ 66.41 (1687)
10	Lowered height - top of forks	in (mm)	3.23 (82)
11	Total lift	in (mm)	4.52 (115)
12	Height of tiller (max.)	in (mm)	32.28 (820) / 45.28 (1150)
13	Maximum gradeability (loaded/unloaded)	%	6 / 20
14	Travel speed (loaded/unloaded)	mph (km/h)	2.5 (4.0) / 2.80 (4.5)
15	Control type		DC
16	Drive / lift motor	Kw	0.75 / 0.5
17	Lift speed - loaded/unloaded (lowering speed - loaded/unloaded)	ft/min	3.54 / 4.53 (11 / 9)
18	Travel brake type		Regenerative
19	Service brake type		Electromagnetic
20	Service weight (including battery)	lb (kg)	264.55 (120) / 275.58 (125)
21	Axle loading - laden front / rear / unladen front/rear	lb (kg)	2,500 (1134) / 1,071.4 (486) / 194 (88) / 70.5 (32)
22	Drive wheel x(1)	in (mm)	Ø5.51 (140) x 2.16 (55) Poly (1)
23	Load wheel (single x(2) / dual x(4))	in (mm)	Ø3.15 (80) x 3.66 (93) Poly / Ø3.14 (80) x 2.75 (70) poly
24	Battery type		Lithium
25	Battery capacity	Ah	10 / 15
26	Battery voltage	V	48
27	Power consumption in accordance with VDI cycle	kWh/h	0.42
28	Sound level at the driver's ear according to EN12053	dB (A)	69

## Operator Assist Features



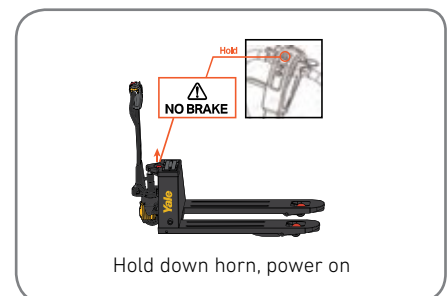
### Speed Setting

Convenient fast / slow pre-set speeds



### Up-Right Drive

Maximize efficiency in tight spaces



### Service Mode

Utilize brake release in emergencies

# About Yale®



Yale Materials Handling Corporation is one of the oldest manufacturers of lift trucks in the world. We've been in the business of lifting since 1875 and we apply that experience to help customers solve materials handling challenges. Our full line of lift trucks range in capacity from 2,000 to 36,000 pounds and are powered by internal combustion engines or electric options. Yale also offers robotic solutions, telemetry, fleet management, parts, financing and training. From traditional lift truck equipment to emerging technologies, our goal, every day, is to work with our nationwide dealer network to continually improve and provide the solutions you need, when and how you need them.

## MATERIALS HANDLING FOR:



3PL



Auto Parts  
Distribution



Beverage



Cold & Frozen  
Foods



Food  
Distribution



Food  
Processing



Furniture &  
Furnishings



Health &  
Pharma



Home  
Centers



Printing &  
Publishing




Retail &  
E-Commerce

## Yale Materials Handling Corporation

P.O. Box 7367  
Greenville, NC 27835-7367  
U.S.A.

[www.yale.com](http://www.yale.com)

YALE,  and PEOPLE. PRODUCTS. PRODUCTIVITY, are trademarks, service marks or registered marks in the United States and certain other jurisdictions. © Yale Materials Handling Corporation 2021. All Rights Reserved.

Trucks may be shown with optional equipment. Truck performance may be affected by the condition of the vehicle, how it is equipped and the application. Specifications are subject to change without notice. Consult your Yale® Dealer if any of the information shown is critical to your application.